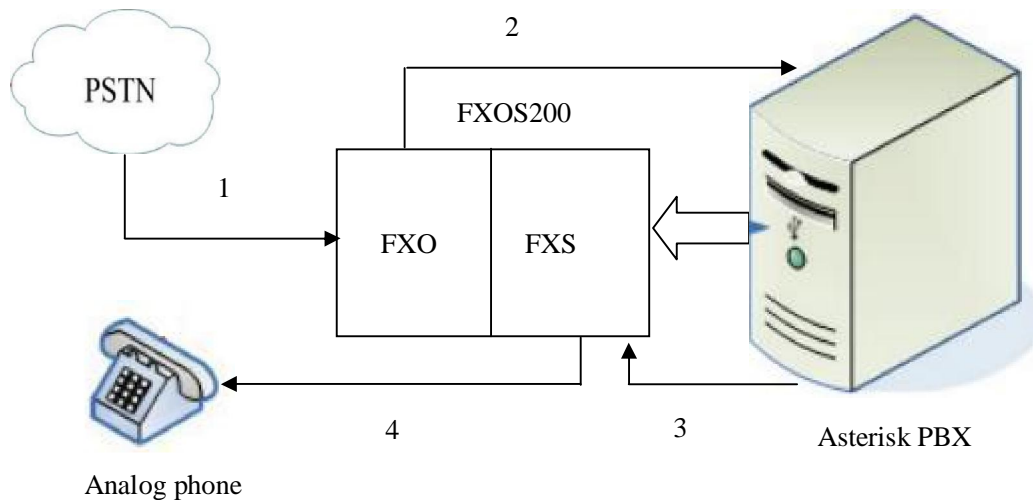


**FXOS200 Working Instruction**

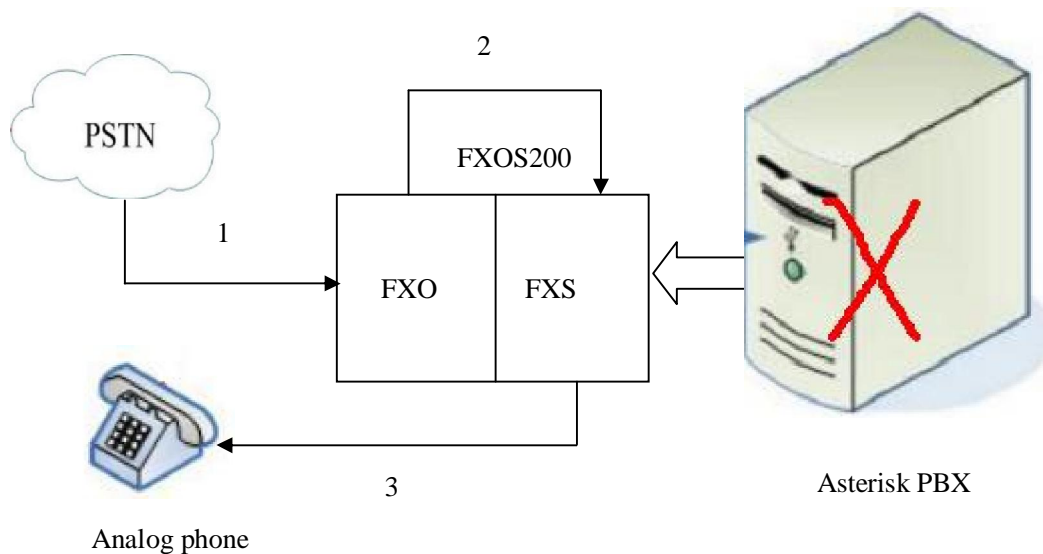
When the Asterisk PBX system is **ON**, FXOS200 works as one FXO and one FXS.

The PSTN signal goes from: 1-->2-->3-->4 ;



When dial out from internal, the PSTN signal goes reverse.

When the Asterisk PBX system is **POWER DOWN**, PSTN line connecting FXO will automatically switch to analog phone connecting with FXS. The PSTN signal goes from: 1-->2-->3



The figure shows the auto-switch line goes in FXOS200.

When dial out from internal, the PSTN signal goes reverse.